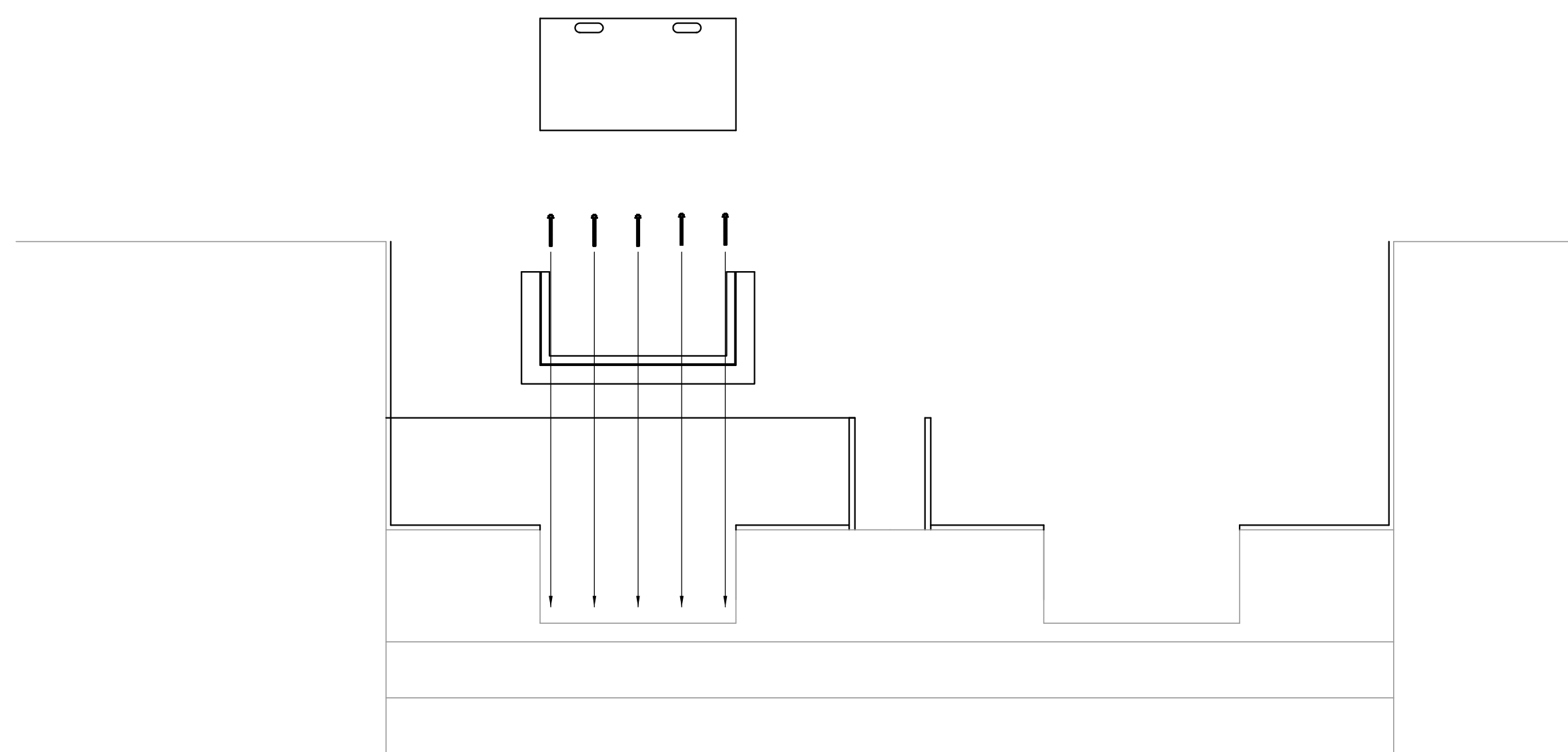


WEIR SW-1 (SLIDE BROOK) RETROFIT ELEVATION DETAIL - LOOKING UPSTREAM

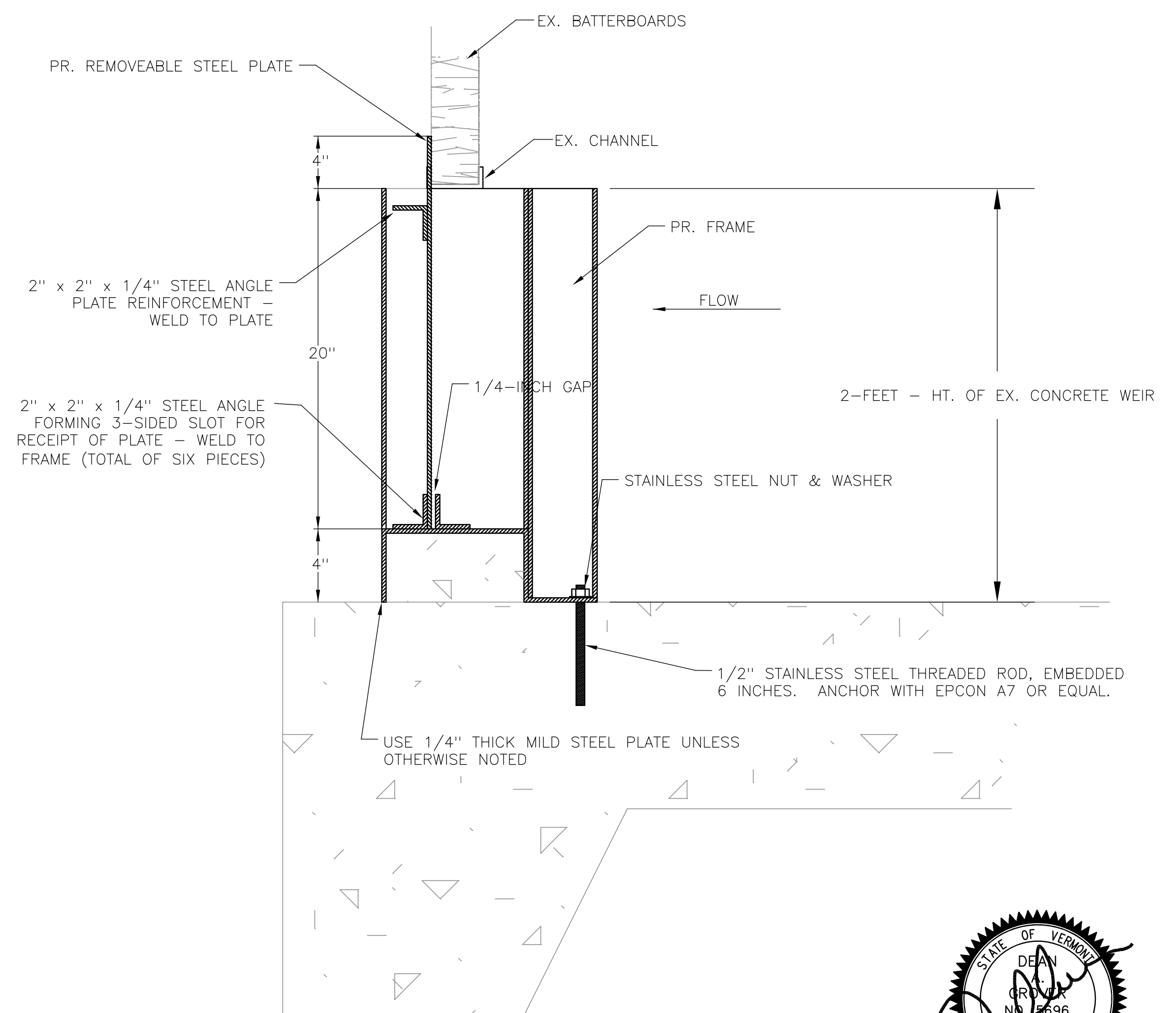
SCALE: 1" = 1'



ELEVATION SHOWING CONCRETE CUTOUTS, AND INSTALLATION OF METAL FRAME AND BOLTS, AND STEEL PLATE (SW-1)

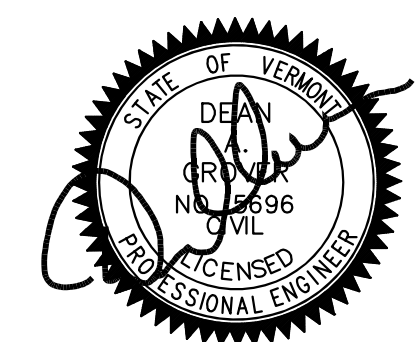
SW-1 - DETAIL

N.T.S.



SW-1 & SW-2 SECTION B-B'

SCALE: 2" = 1'



GROVER
ENGINEERING PC

2044 Main Road, Huntington, Vermont 05462
phone: 802-434-2989 email: dean@groverengineeringpc.com

FRIENDS OF THE MAD RIVER

SCALE: AS NOTED

DATE: APRIL 15, 2016

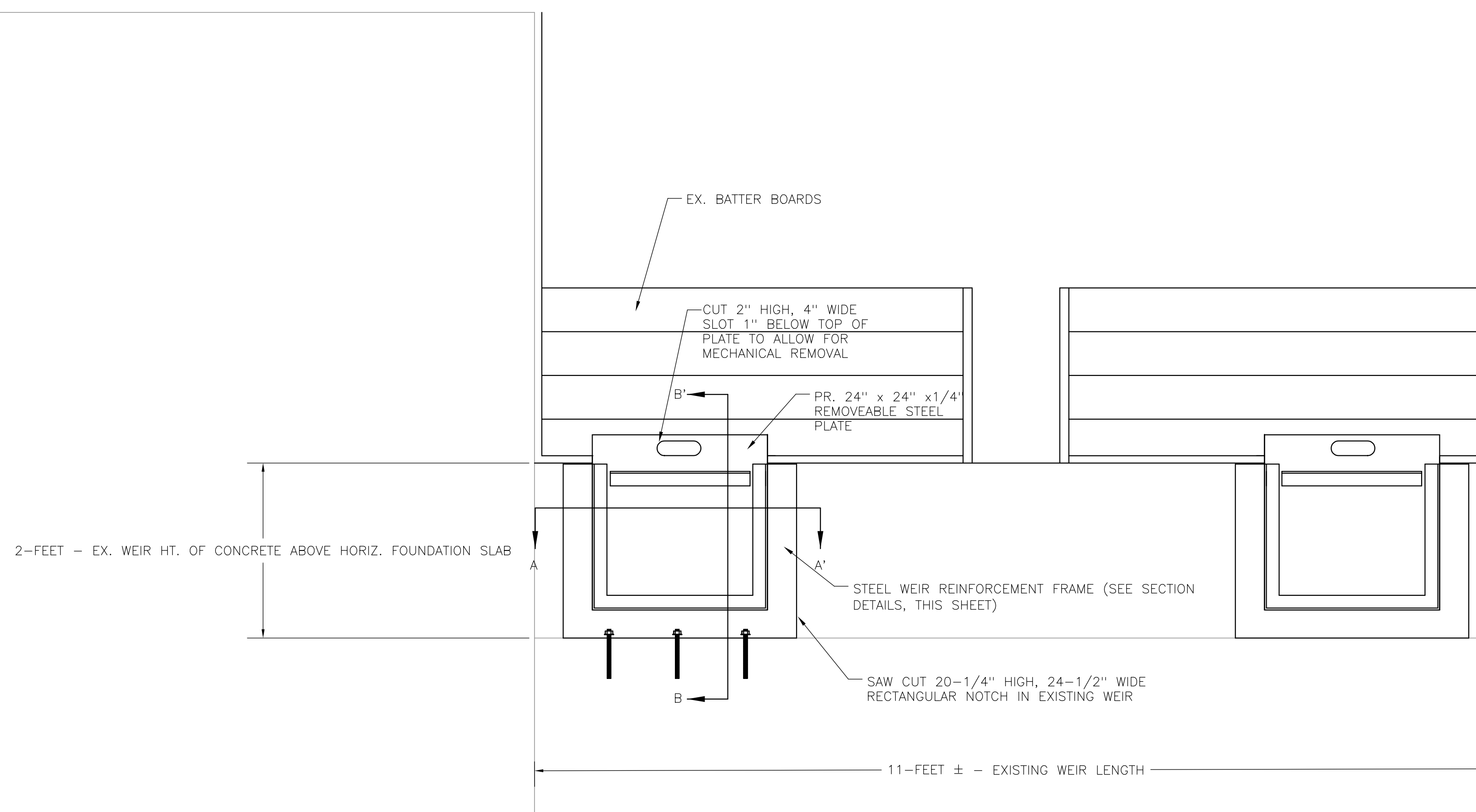
DWG NO: 1 of 2

FILE: \SW1 SW2 SITE PLANS\SW SITE PLAN.DWG

PROJ: 13003

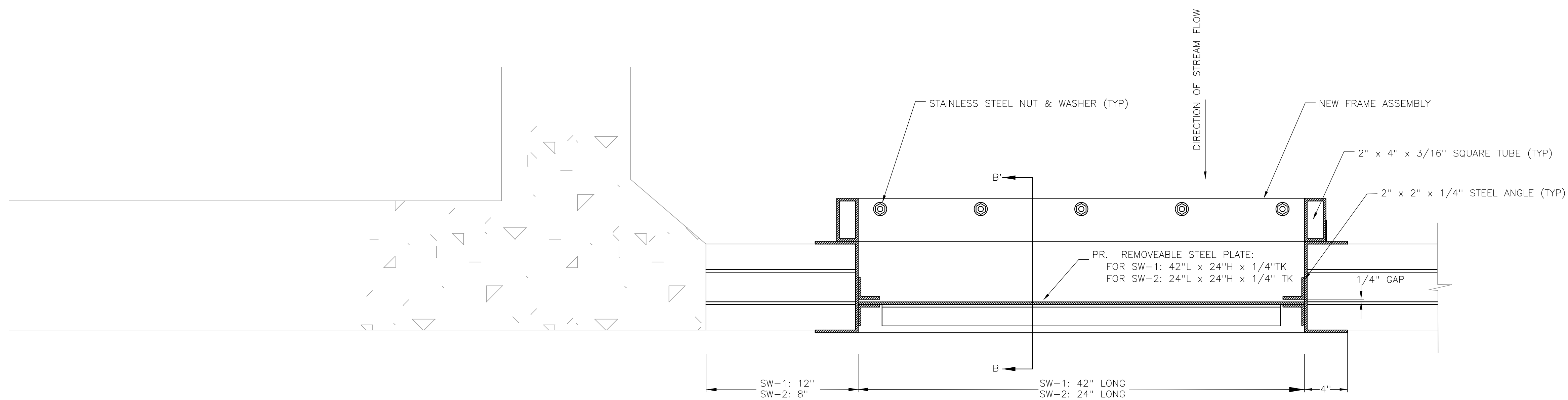
FAYSTON

SUGARBUSH RESORT - SW-1 & SW-2 RETROFIT DETAILS
VERMONT



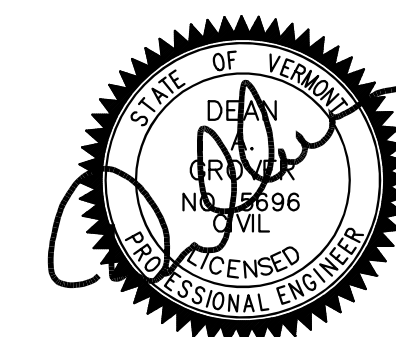
WEIR SW-2 (CHASE BROOK) RETROFIT ELEVATION DETAIL – LOOKING UPSTREAM

SCALE: 1" = 1'



SW-1 & SW-2 SECTION A-A'

SCALE: 2" = 1'



GROVER ENGINEERING PC
 2044 Main Road, Huntington, Vermont 05462
 phone: 802-434-2989 email: dean@groverengineeringpc.com

FRIENDS OF THE MAD RIVER

SCALE: AS NOTED

DATE: APRIL 15, 2016

DWGNO: 2 of 2

FILE: \SW1 SW2 SITE PLANS\SW SITE PLAN.DWG

PROJ: 13003

SUGARBUSH RESORT – SW-1 & SW-2 RETROFIT DETAILS
 FAYSTON VERMONT