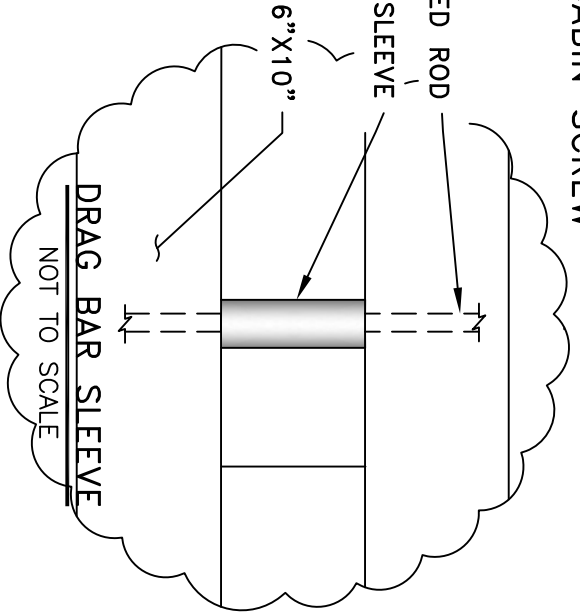
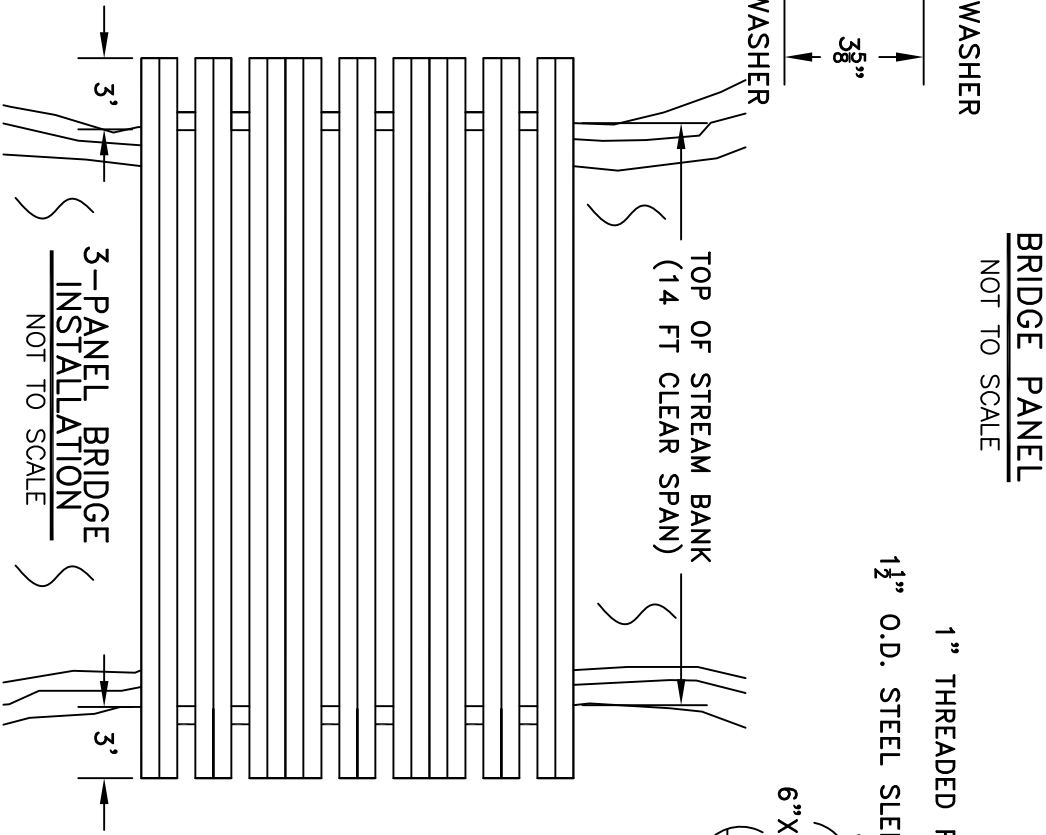
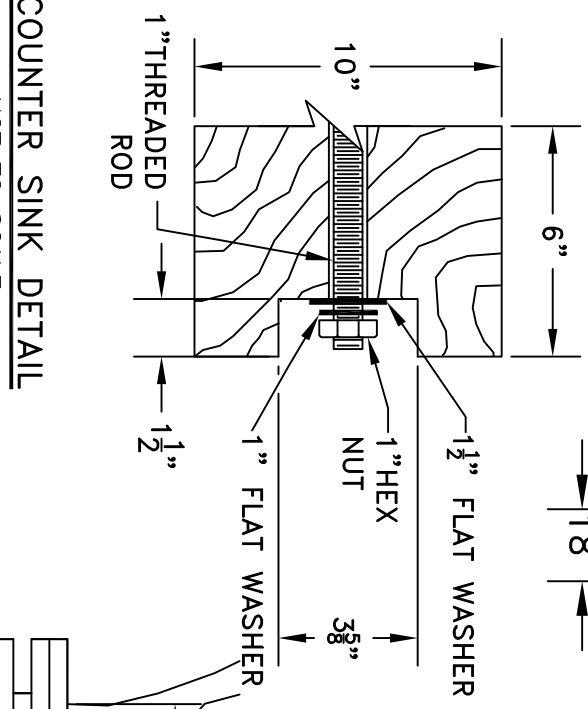
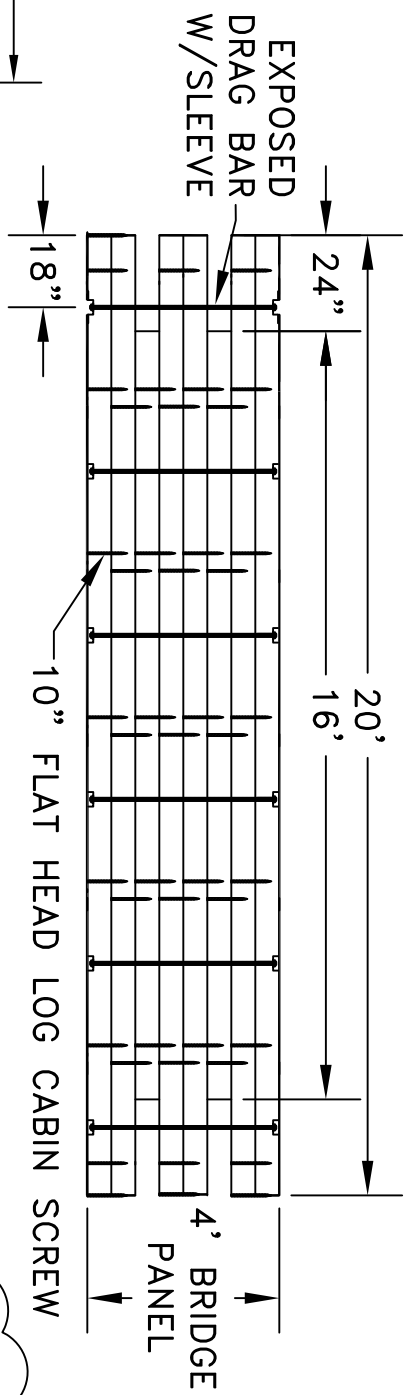


PORTABLE SKIDDER BRIDGE - HEAVY DUTY DESIGN



THESE PLANS ARE INTENDED FOR INFORMATIONAL PURPOSES AND HAVE NOT BEEN CERTIFIED BY A PROFESSIONAL ENGINEER (P.E.). IT IS RECOMMENDED THAT THE DESIGN BE CERTIFIED BY A P.E. PRIOR TO CONSTRUCTION. BRIDGE LIFE WILL BE REDUCED WITH IMPROPER MAINTENANCE, HEAVY USE OR IF STORED IN A MANNER THAT ENCOURAGES ROT.

AGENCY OF NATURAL RESOURCES  
DEPT. OF FORESTS, PARKS AND RECREATION  
FOREST WATERSHED PROGRAM  
REVISED 10-20-09